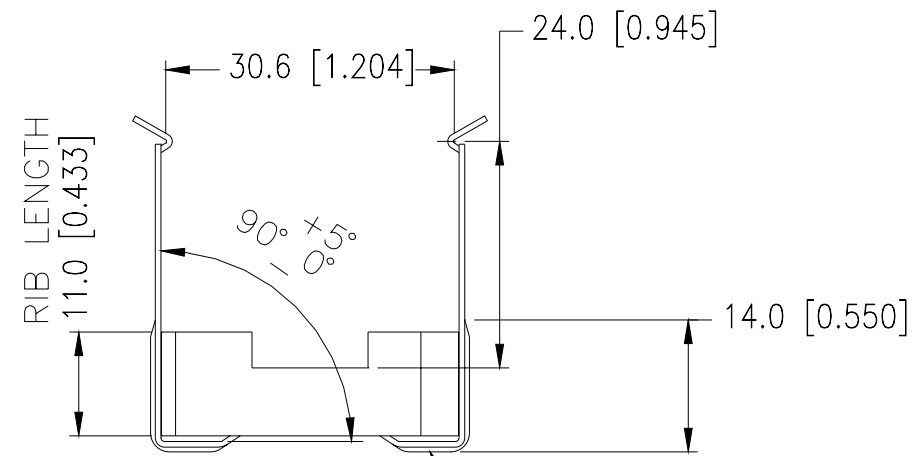
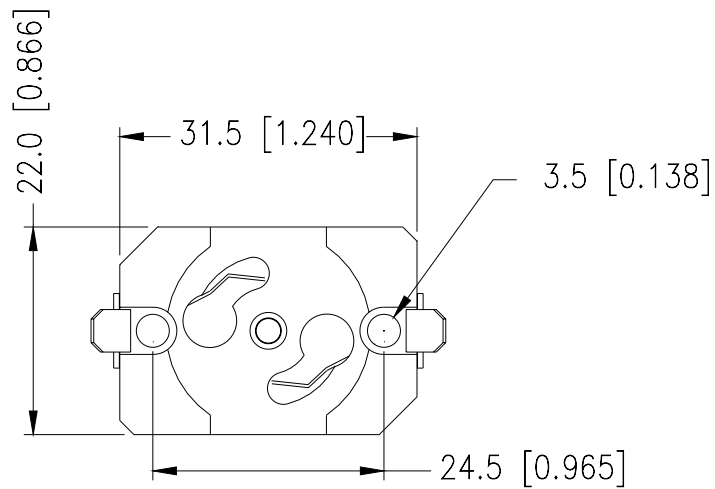




**LIGHTING
FIXTURE MFG.**

Catalog No.	Description
HH-125-5	Starter Base



ZINC PLATING
HARDENED STEEL

