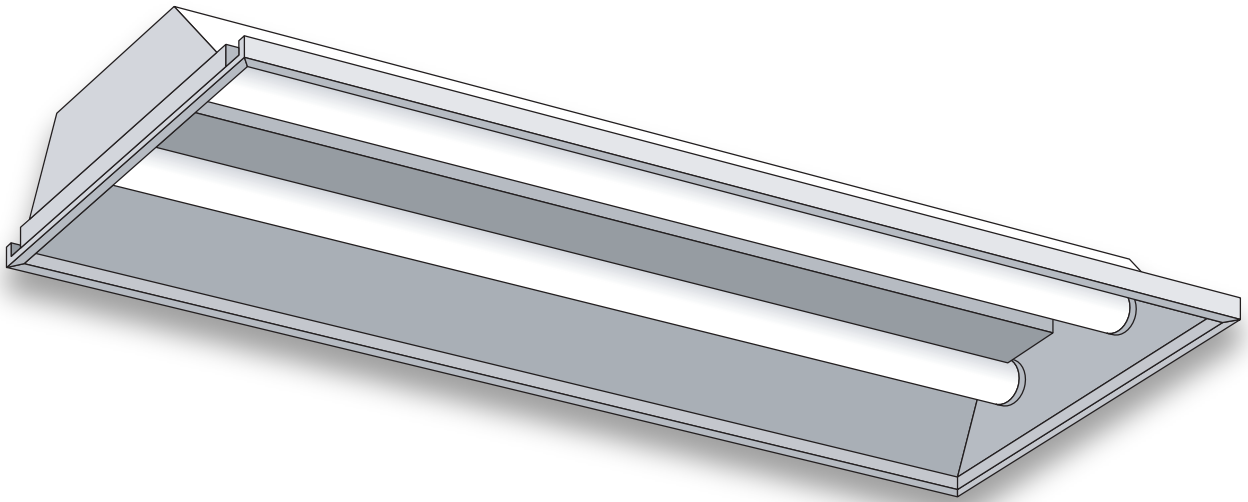




LIGHTING FIXTURE MFG.

1x4 Lay-In



GENERAL DESCRIPTION

Recessed lay-in 1 x 2 and 1 x 4 fixtures for use with prismatic lenses or celled louvers in exposed T-bar ceilings. The body is the same shape for 1 x 2 and 1 x 4 units.

SPECIFICATIONS

Housing: Die-formed standard or 20-gauge steel, embossed for maximum rigidity and provided with four corner tie points for safety wire supports.

Ends: Snap into housing and secure with #8 x 3/8" screws or 1/8" to 3/16" grip (not included). Built-in earthquake clips attach fixture to grid. Same ends fit 1 x 2 and 1 x 4 fixtures.

Socket Plate: Snap-in type, available in 1, 2, 3 T8 or T12 lamps. Sockets are tilted forward to provide positive spring action contact with lamps. Same socket plates fit 1 x 2 and 1 x 4.

Ballast Cover: Snaps in without tools for easy installation.

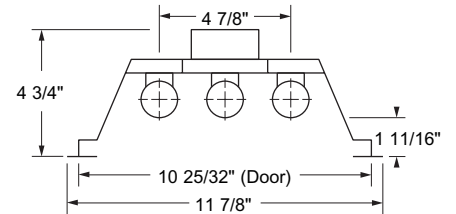
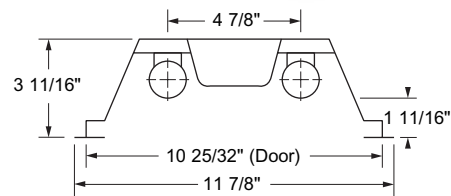
Access Plate: Snaps in for simple ballast lead hook-up without removing door or ballast cover.

Door Frame: Available in flush steel. Hinges on end from either side of housing and is secured by a rotary cam latch (sold separately). See separate listing for door specifications.

Finish: White polyester polymer with a minimum of 82% reflectivity.

Diffusers (not included): Prismatic lenses and all types of louvers will easily fit door frame. See separate listing on door specifications.

Lamps: 1, 2 or 3 T8 or T12 lamps.



NOTES

Dimensions subject to change without notice.

Catalog No.	Lamps	Voltage	Bulb	Type
LI14-232	2 T8	120V-277V	F32	Plain
LI14-232LW	2 T8	120V-277V	F32	Lamp-Whip