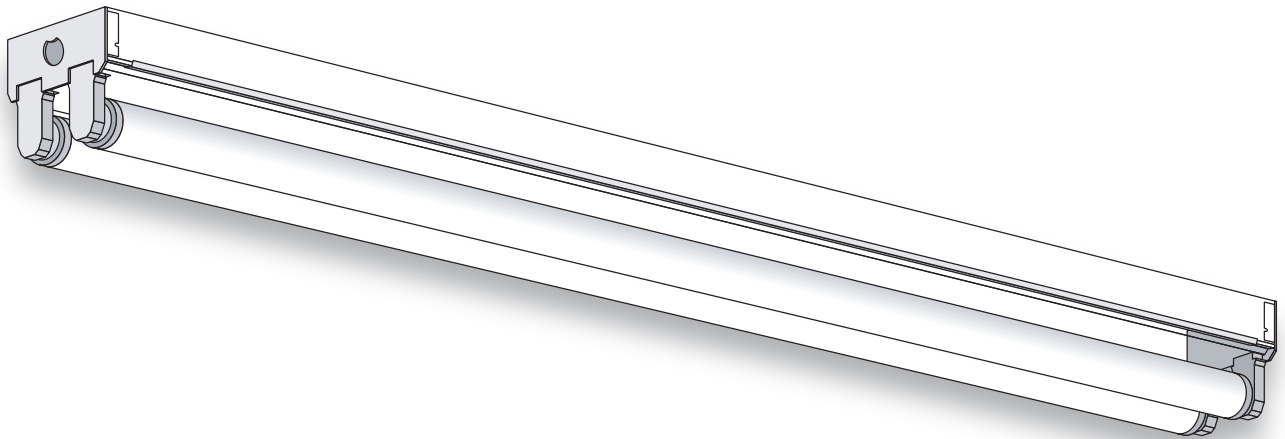




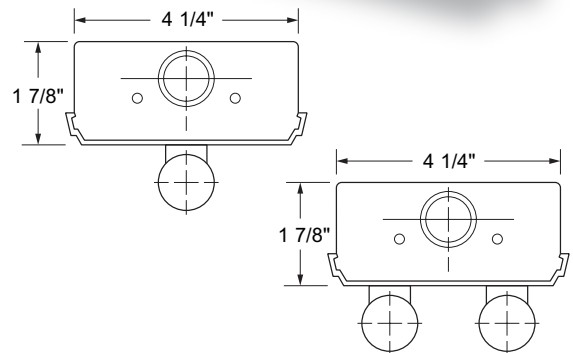
# LIGHTING FIXTURE MFG.

## 2 Light Strip



### GENERAL DESCRIPTION

An all-purpose 1- or 2-light economy strip for a wide range of bi-pin and slimline fluorescent lighting applications. All fixture parts snap together for ease of installation and maintenance. Side knockouts are provided for a convenience outlet, a pull switch and conduit. Chain hanger slots are provided on the sides and back.

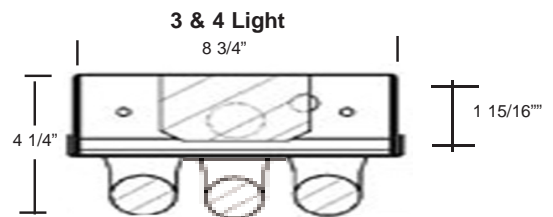


### SPECIFICATIONS

- Housing:** Die-formed heavy-gauge cold rolled steel.
- Cover:** Snap-on type, fabricated in two sections for 72" and 96" bodies to simplify installation.
- Ends and Socket Plates:** Snap-in type. Ends also function as couplers for continuous row installations.
- Finish:** White polyester polymer with a minimum of 82% reflectivity.
- Mounting:** Designed for surface, stem or chain hanging. Can be installed as individual units or in continuous rows.

### NOTES

Dimensions subject to change without notice.



Catalog No.	Lamps	Voltage	Length	Type
F-S196T8	1 T8	120V-277V	96"	Slimline
F-S217	2 T8	120V-277V	24"	Bi-pin Shunted
F-S225	2 T8	120V-277V	36"	Bi-pin Shunted
F-S232	2 T8	120V-277V	48"	Bi-pin Shunted
F-S232-EMG	2 T8 (Emergency)	120V-277V	48"	Bi-pin Shunted
F-S232RES	2 T8 (Residential)	120V	48"	Bi-pin Shunted
F-S2225	4 T8 Tandem	120V-277V	72"	Bi-pin Shunted
F-S2232	4 T8 Tandem	120V-277V	96"	Bi-pin Shunted
F-S296T8	2 T8	120V-277V	96"	Slimline
F-S296T8EMG	2 T8 (Emergency)	120V-277V	96"	Slimline
F-S296T8HO	2 T8	120V	96"	HO
F-S296T8HO-277	2 T8	277V	96"	HO
F-S496T8	4 T8	120V-277V	96"	Slimline