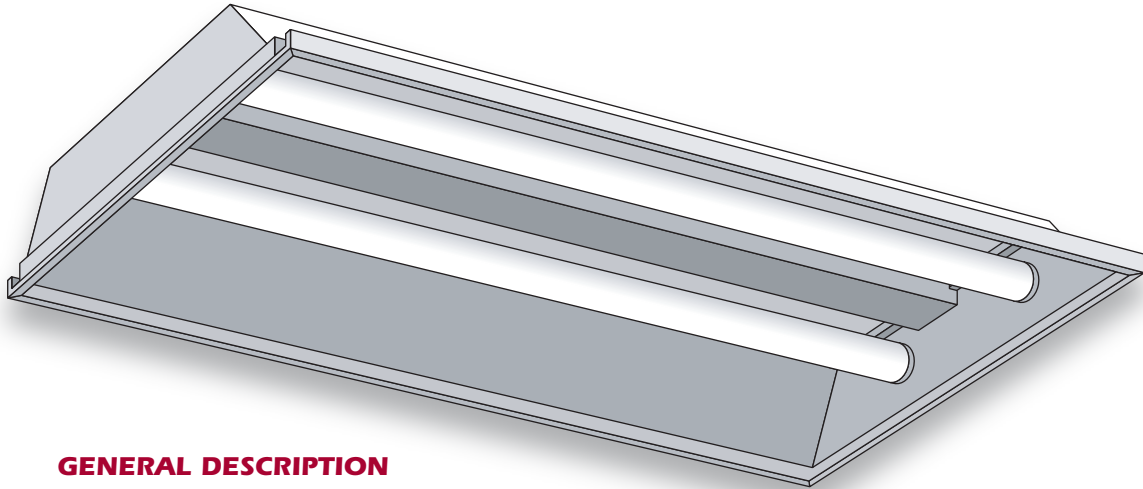




LIGHTING FIXTURE MFG.

2x2 & 2x4 Lay-In



GENERAL DESCRIPTION

Recessed lay-in 2 x 2 and 2 x 4 fixtures for use with prismatic lenses or celled louvers in exposed T-bar ceilings. The body is the same shape for 2 x 2 and 2 x 4 units.

SPECIFICATIONS

Housing: 3-³/₄" deep. Die-formed standard or 20-gauge steel with rounded side flanges for safe handling. Embossed for maximum rigidity. Four corner tie points for safety wire supports.

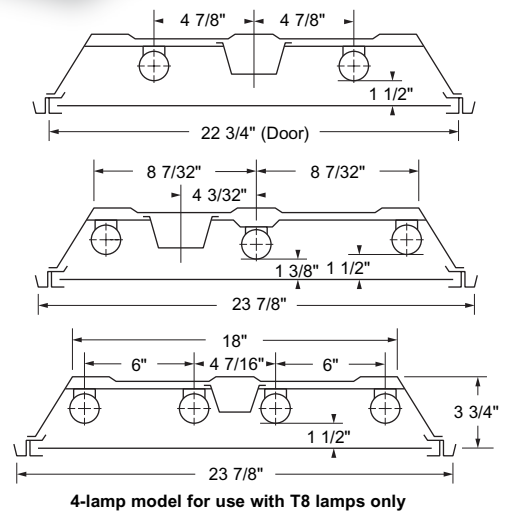
Ends: Snap into housing and can be additionally secured with #8 x 3/8" screw or 1/8" pop rivet with 1/8" to 3/16" grip (not included). Same ends fit 2 x 2 and 2 x 4.

Socket Plate: Snap-in type, available in 2, 3, 4 and U-lamp. Four-light and U-lamp use the same plate. Sockets are tilted forward to provide positive spring action contact with lamps. Same socket plates fit 2 x 2 and 2 x 4.

Ballast Cover: Snaps in without tools for easy installation.

Access Plate: Snaps in for simple ballast lead hook-up without removing door or ballast cover.

Door Frame: Available in flush steel. Hinges on end from either side of housing and is secured by a rotary cam latch (sold separately). See separate listing for door specifications.



NOTES

Dimensions subject to change without notice.

Diffusers (not included): Prismatic lenses and all types of louvers will easily fit door frame. See separate listing on door specifications.

Finish: White polyester polymer with a minimum of 82% reflectivity.

Catalog No.	Lamps	Voltage	Bulb	Type
LI22-217	2 T8	120V-277V	F17	Plain
LI22-317	3 T8	120V-277V	F17	Plain
LI22-417	4 T8	120V-277V	F17	Plain
LI22-U32	2 T8	120V-277V	U-BEND	Plain
LI22-U32LW	2 T8	120V-277V	U-BEND	Lamp-Whip
LI22-U32LW-DL	2 T8 (750)	120V-277V	U-BEND	Lamp-Whip
LI22-U32LW-EMG	2 T8 (Emergency)	120V-277V	U-BEND	Lamp-Whip
LI22-U32LW-EMG-DL	2 T8 (750) (Emergency)	120V-277V	U-BEND	Lamp-Whip
LI24-232	2 T8	120V-277V	F32	Plain
LI24-232LW	2 T8	120V-277V	F32	Lamp-Whip
LI24-232LW-DL	2 T8 (750)	120V-277V	F32	Lamp-Whip
LI24-332	3 T8	120V-277V	F32	Plain
LI24-332LW	3 T8	120V-277V	F32	Lamp-Whip
LI24-332LW-DL	3 T8 (750)	120V-277V	F32	Lamp-Whip
LI24-432	4 T8 (750)	120V-277V	F32	Plain
LI24-432LW	4 T8 (750)	120V-277V	F32	Lamp-Whip
LI24-432LW-DL	4 T8 (750)	120V-277V	F32	Lamp-Whip
LI24-432LW-EMG	4 T8 (Emergency)	120V-277V	F32	Lamp-Whip
LI24-432LW-DL-EMG	4 T8 (750) (Emergency)	120V-277V	F32	Lamp-Whip